

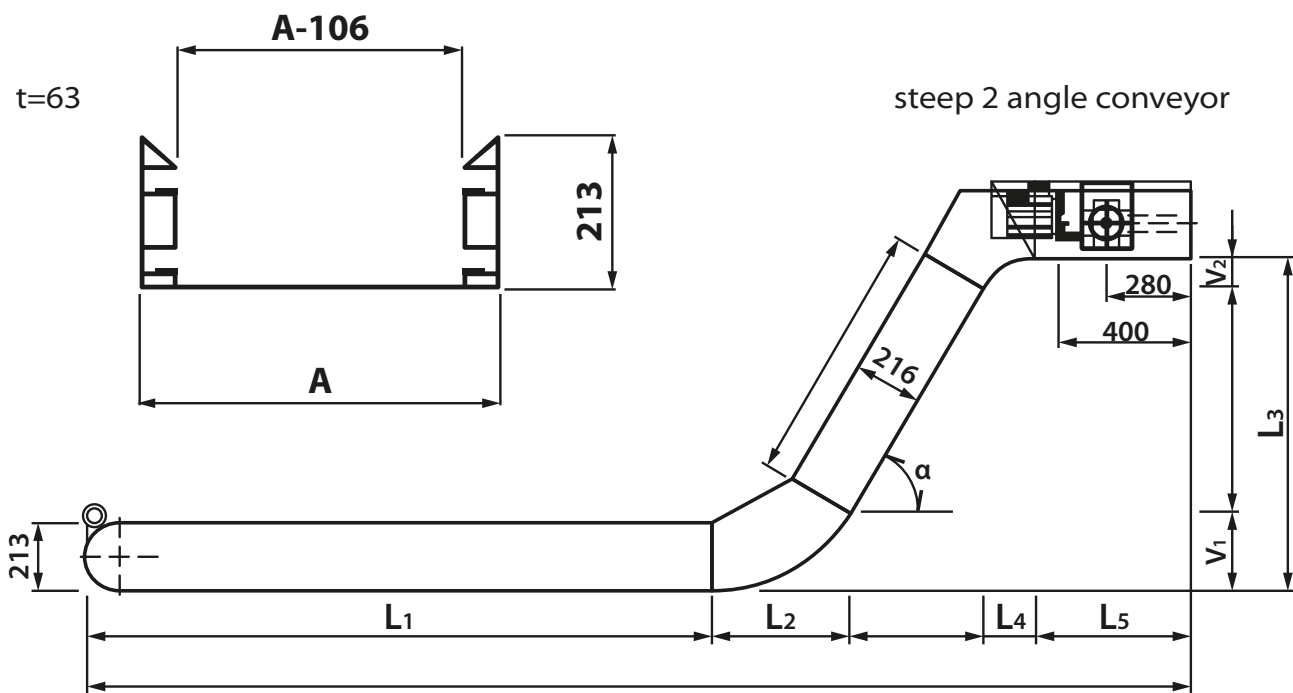


# DHR

## DHR SCRAPER CHIP CONVEYOR DHR 63

### Technical description:

- **A** - Width of the case
- **A 106** - Width of the loading section of the conveyor
- Proportions of the case are optional
- The angle  $\alpha$ , in exceptional instance, can be to an extent of max. 70°
- The motor drive of the conveyor is situated in line with the direction of forward momentum of the chips. P on the right hand side, L on the left hand side



DIMENSIONS ARE STATED IN DEGREES AND mm

$\alpha$	L2	V1	L4	V2	L5 min
30°	285	69	101	27	595
45°	364	151	142	59	595
60°	446	258	174	101	595